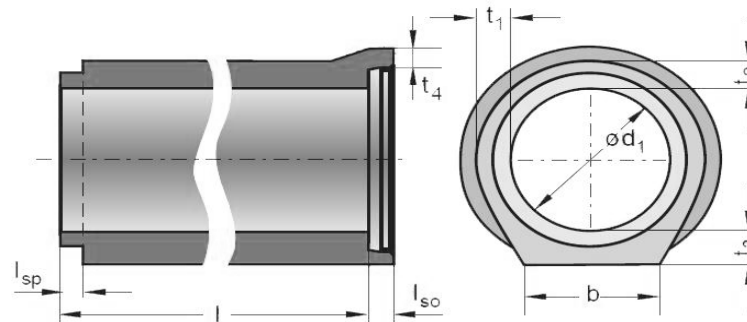


Betonrohre mit Fuß DN 300 - DN 1400
EN 1916 / DIN V 1201-Typ 2

P.V.[®]

| Nennweite | Rohrtyp | Fließlänge in mm | Wanddicke | | | Fußbreite | Spitzende Ø | Muffe Ø Innen | Muffenlänge | Spitzendlänge | Muffenspalt weite | Rohraußen Ø | Außen Ø Glocke | Gewicht Kg/Stk | Gewicht Kg/m | Verlegeanker |
|-----------|---------|---------------------|-----------|-----|-----|-----------|----------------|------------------|-------------|---------------|----------------------|----------------|-------------------|-------------------|-----------------|--------------|
| | | | d1 | l | t1 | | | | | | | | | | | |
| 300 | GM | 2500 | 65 | 95 | 110 | 240 | 404 | 419,6 | 80 | 85 | 7,8 ± 1,20 | 505 | 528 | 602 | 241 | nein |
| 400 | GM | 2500 | 65 | 100 | 115 | 320 | 505 | 523,5 | 90 | 90 | 9,1 ± 1,40 | 615 | 630 | 868 | 347 | nein |
| 500 | GM | 2500 | 70 | 100 | 115 | 400 | 610 | 628,2 | 90 | 95 | 9,1 ± 1,40 | 715 | 745 | 1.108 | 443 | nein |
| 600 | GM | 2500 | 85 | 100 | 130 | 450 | 726 | 744,2 | 90 | 95 | 9,1 ± 1,40 | 830 | 874 | 1.480 | 592 | nein |
| 700 | GM | 2500 | 100 | 115 | 150 | 500 | 844 | 867,4 | 95 | 100 | 11,7 ± 1,80 | 965 | 1012 | 1.933 | 733 | 1 x 5,0 |
| 800 | GM | 2500 | 115 | 130 | 170 | 550 | 962 | 985,4 | 100 | 105 | 11,7 ± 1,80 | 1100 | 1140 | 2.525 | 1.010 | 1 x 5,0 |
| 900 | GM | 2500 | 130 | 145 | 195 | 600 | 1080 | 1103,4 | 100 | 105 | 11,7 ± 1,80 | 1240 | 1280 | 3.000 | 1.250 | 1 x 5,0 |
| 1000 | GM | 2500 | 145 | 160 | 215 | 650 | 1198 | 1221,4 | 100 | 105 | 11,7 ± 1,80 | 1375 | 1368 | 3.813 | 1.525 | 1 x 5,0 |
| 1200 | GM | 2400 | 170 | 190 | 260 | 730 | 1434 | 1457,4 | 110 | 105 | 11,7 ± 1,80 | 1650 | 1725 | 5.214 | 2.172 | 2 x 7,50 |
| 1400 | GM | 2400 | 200 | 220 | 300 | 840 | 1670 | 1698,6 | 110 | 115 | 14,3 ± 2,20 | 1920 | 1980 | 7.080 | 2.950 | 2 x 8,50 |



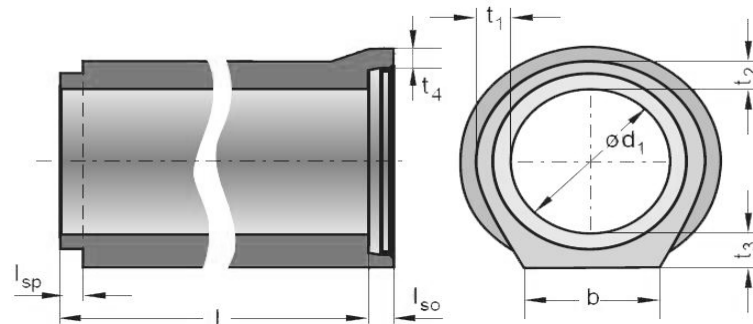
*technische Änderungen vorbehalten



Stahlbetonrohre mit Fuß DN 300 - DN 2000
EN 1916 / DIN V 1201-Typ 2

P.V.[®]

| Nennweite | Rohrtyp | Fließlänge in mm | Wanddicke | | | Fußbreite | Spitzende Ø | Muffe Ø Innen | Muffenlänge | Spitzendlänge | Muffenspalt weite | Rohraußen Ø | Außen Ø Glocke | Gewicht | Gewicht | Verlegeanker |
|-----------|---------|---------------------|-----------|-----|-----|-----------|----------------|------------------|-------------|---------------|----------------------|----------------|-------------------|---------|---------|--------------|
| | | | t1 | t2 | t3 | | | | | | | | | | | |
| d1 | | l | b | dsp | dso | lso | lsp | w | da | dg | Kg/Stk | Kg/m | Stück/to | | | |
| 300 | GM | 2500 | 65 | 95 | 110 | 240 | 404 | 419,6 | 80 | 85 | 7,8 ± 1,20 | 505 | 528 | 602 | 241 | nein |
| 400 | GM | 2500 | 65 | 100 | 115 | 320 | 505 | 523,5 | 90 | 90 | 9,1 ± 1,40 | 615 | 630 | 868 | 347 | nein |
| 500 | GM | 2500 | 70 | 100 | 115 | 400 | 610 | 628,2 | 90 | 95 | 9,1 ± 1,40 | 715 | 745 | 1.108 | 443 | nein |
| 600 | GM | 2500 | 85 | 100 | 130 | 450 | 726 | 744,2 | 90 | 95 | 9,1 ± 1,40 | 830 | 874 | 1.480 | 592 | nein |
| 700 | GM | 2500 | 100 | 115 | 150 | 500 | 844 | 867,4 | 95 | 100 | 11,7 ± 1,80 | 965 | 1012 | 1.933 | 733 | 1 x 5,0 |
| 800 | GM | 2500 | 115 | 130 | 170 | 550 | 962 | 985,4 | 100 | 105 | 11,7 ± 1,80 | 1100 | 1140 | 2.525 | 1.010 | 1 x 5,0 |
| 900 | GM | 2500 | 130 | 145 | 195 | 600 | 1080 | 1103,4 | 100 | 105 | 11,7 ± 1,80 | 1240 | 1280 | 3.000 | 1.250 | 1 x 5,0 |
| 1000 | GM | 2500 | 145 | 160 | 215 | 650 | 1198 | 1221,4 | 100 | 105 | 11,7 ± 1,80 | 1375 | 1368 | 3.813 | 1.525 | 1 x 5,0 |
| 1200 | GM | 2400 | 130 | 150 | 210 | 735 | 1434 | 1457,4 | 100 | 95 | 11,7 ± 1,80 | 1560 | 1635 | 4.280 | 1.712 | 2 x 7,50 |
| 1400 | GM | 2400 | 155 | 155 | 235 | 1080 | 1670 | 1698,6 | 110 | 115 | 14,3 ± 2,20 | 1790 | 1951 | 5.952 | 2.480 | 2 x 7,50 |
| 1500 | GM | 2500 | 150 | 170 | 250 | 900 | 1670 | 1705 | - | - | - | 1920 | 1930 | 6.125 | 2.450 | - |
| 1600 | FM | 2500 | 175 | 175 | 220 | 1180 | 1708 | 1740 | - | - | - | 1995 | 1995 | 7.125 | 2.850 | - |
| 1800 | FM | 2500 | 200 | 200 | 250 | 1320 | 1994 | 1320 | - | - | - | 2200 | 2200 | 9.292 | 3.717 | - |
| 2000 | FM | 2500 | 200 | 200 | 260 | - | - | - | - | - | - | 2400 | 2400 | 10.397 | 4.159 | - |

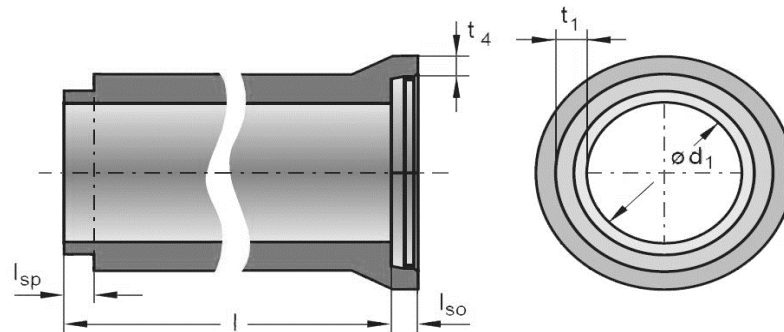


*technische Änderungen vorbehalten

Stahlbetonrohre ohne Fuß DN 300 - DN 2400
EN 1916 / DIN V 1201-Typ 2

P.V.[®]

| Nennweite | Rohrtyp | Fließlänge in mm | Wanddicke | | | Fußbreite | Spitzende Ø | Muffe Ø Innen | Muffenlänge | Spitzendlänge | Muffenspalt weite | Rohraußen Ø | Außen Ø Glocke | Gewicht | Gewicht | Verlegeanker |
|-----------|---------|---------------------|-----------|-----|-----|-----------|----------------|------------------|-------------|---------------|----------------------|----------------|-------------------|---------|---------|--------------|
| | | | d1 | t1 | t2 | | | | | | | | | | | |
| 300 | GM | 2500 | 75 | 75 | 75 | nein | 404 | 419,6 | 80 | 85 | 7,8 ± 1,20 | 450 | 528 | 595 | 238 | nein |
| 400 | GM | 2500 | 75 | 75 | 75 | nein | 505 | 523,5 | 90 | 95 | 9,1 ± 1,40 | 550 | 630 | 748 | 299 | nein |
| 500 | GM | 2500 | 70 | 70 | 70 | nein | 610 | 628,2 | 90 | 95 | 9,1 ± 1,40 | 640 | 745 | 838 | 335 | nein |
| 600 | GM | 2500 | 80 | 80 | 80 | nein | 726 | 744,2 | 90 | 95 | 9,1 ± 1,40 | 760 | 874 | 1.150 | 460 | nein |
| 700 | GM | 2500 | 90 | 90 | 90 | nein | 844 | 867,4 | 95 | 100 | 11,7 ± 1,80 | 880 | 1012 | 1.458 | 583 | 1 x 5,0 |
| 800 | GM | 2500 | 100 | 100 | 100 | nein | 962 | 985,4 | 100 | 105 | 11,7 ± 1,80 | 1000 | 1140 | 1.882 | 753 | 1 x 5,0 |
| 1000 | GM | 2500 | 120 | 120 | 120 | nein | 1198 | 1221,4 | 100 | 105 | 11,7 ± 1,80 | 1240 | 1420 | 2.733 | 1.093 | 1 x 5,0 |
| 1100 | GM | 2400 | 130 | 130 | 130 | nein | - | - | - | - | - | 1360 | 1569 | 3.387 | 1.355 | 2 x 5,0 |
| 1200 | GM | 2400 | 140 | 140 | 140 | nein | - | - | - | - | - | 1480 | 1675 | 4.272 | 1.780 | 2 x 7,50 |
| 1400 | GM | 2500 | 160 | 160 | 160 | nein | - | - | - | - | - | 1720 | 1870 | 4.945 | 1.978 | 2 x 7,50 |
| 1600 | FM | 2500 | 180 | 180 | 180 | nein | - | - | - | - | - | 1960 | 1960 | 6.400 | 2.560 | - |
| 1800 | FM | 2500 | 200 | 200 | 200 | nein | - | - | - | - | - | 2200 | 2200 | 7.200 | 2.880 | - |
| 2000 | FM | 2500 | 200 | 200 | 200 | nein | - | - | - | - | - | 2400 | 2400 | 8.400 | 3.360 | - |
| 2200 | FM | 2500 | 220 | 220 | 220 | nein | - | - | - | - | - | 2640 | 2640 | 12.540 | 5.016 | - |
| 2400 | FM | 2500 | 240 | 240 | 240 | nein | - | - | - | - | - | 2880 | 2880 | 12.440 | 4.976 | - |



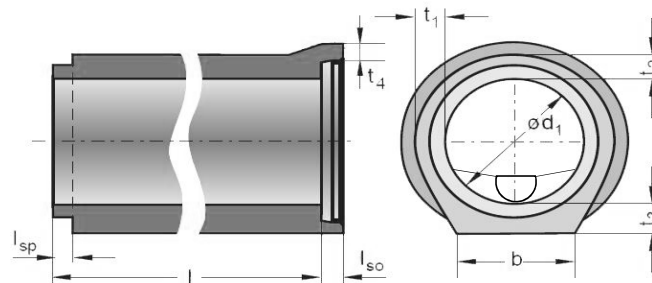
*technische Änderungen vorbehalten



Stahlbetonrohre mit Trockenwetterrinne DN 1200 - DN 1600
EN 1916 / DIN V 1201-Typ 2

P.V.[®]

| Nennweite | Rohrtyp | Fließlänge in mm | TWR | Radius | Wanddicke | | | Fußbreite | Spitzende | Muffe \varnothing Innen | Muffenlänge | Spitzendlänge | Muffenspaltweite | Rohraußen \varnothing | Außen \varnothing Glocke | Gewicht | Gewicht | Verlegeanker |
|-----------|---------|------------------|---------|--------|-----------|-----|-----|-----------|-----------|---------------------------|-------------|---------------|------------------|-------------------------|----------------------------|---------|---------|--------------|
| | | | | | t1 | t2 | t3 | | | | | | | | | | | |
| d1 | | l | Neigung | mm | t1 | t2 | t3 | b | dsp | dso | lso | lsp | w | da | dg | Kg/Stk | Kg/m | Stück/to |
| 1200 | GM | 2400 | 1 : 3 | 150 | 130 | 150 | 210 | 735 | 1434 | 1457,4 | 100 | 105 | 11,7 ± 1,80 | 1560 | 1605 | 4.836 | 2.015 | 2 x 5 |
| 1400 | GM | 2400 | 1 : 3 | 150 | 155 | 155 | 235 | 1080 | 1670 | 1698,6 | 110 | 115 | 14,3 ± 2,20 | 1790 | 1951 | 6.264 | 2.610 | 2 x 7,50 |
| 1600 | FM | 2500 | 1 : 3 | 150 | 175 | 175 | 220 | 1130 | - | - | - | - | - | - | - | 7.825 | 3.130 | 2 x 7,50 |



*technische Änderungen vorbehalten